

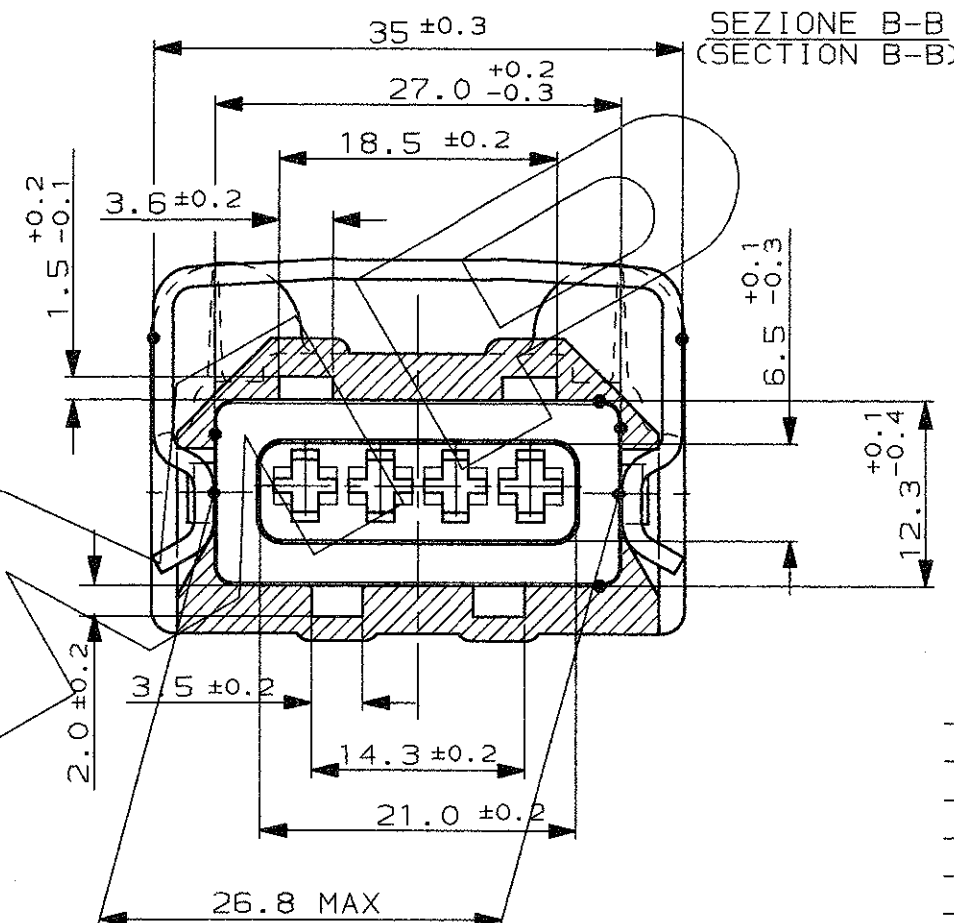
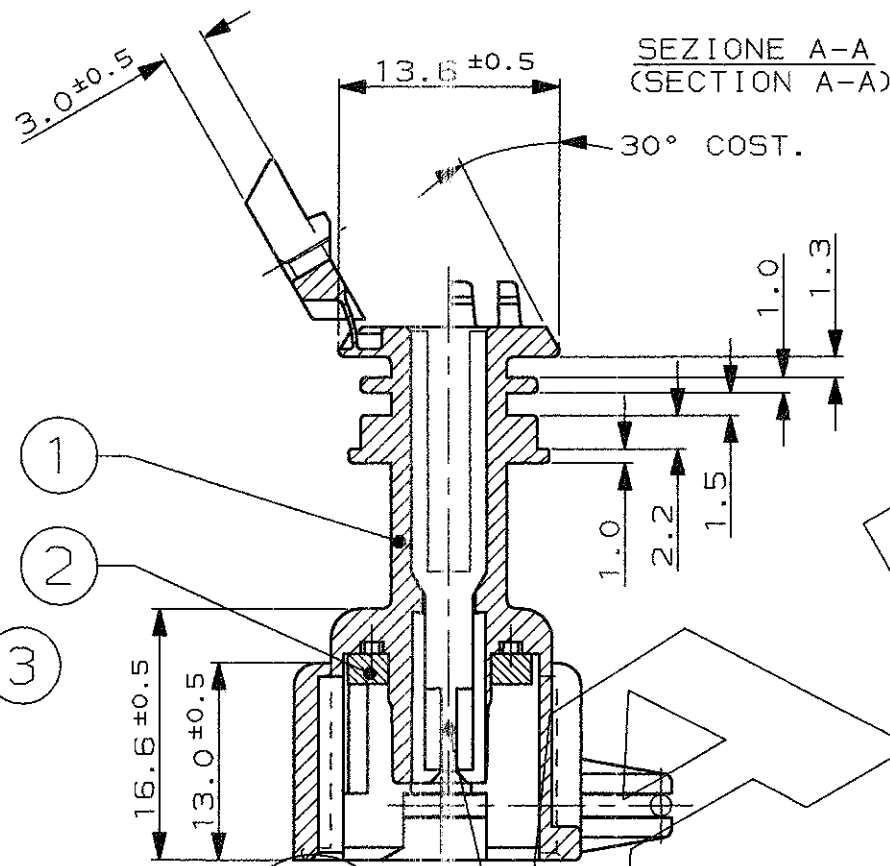
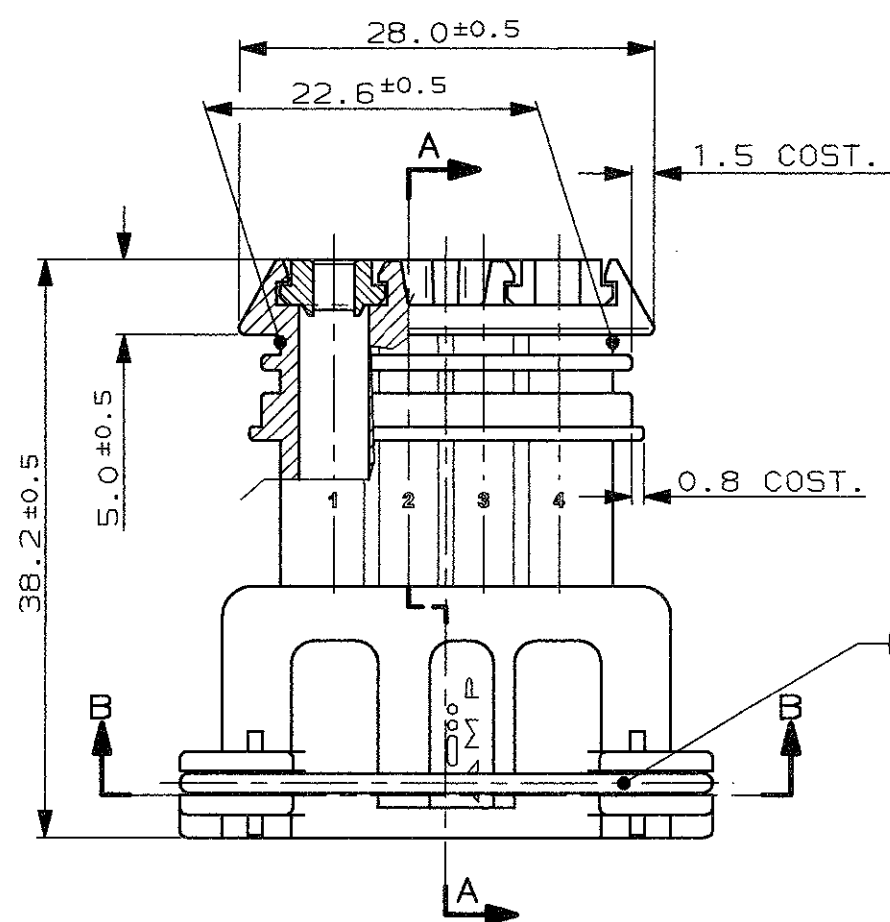
CONNETTORE TIPO A (CON MOLLA DI RITEGNO ESTERNA)  
CONNECTOR TYPE A (WITH EXTERNAL SPRING)

SCALA NON IMPEGNATIVA  
(DO NOT SCALE)  
DIMENSIONI IN mm  
(DIMENSIONS IN)

METRIC

PROIEZIONE EUROPEA  
(EUROPEAN PROJECTION)

A  
B  
C  
D  
E  
F

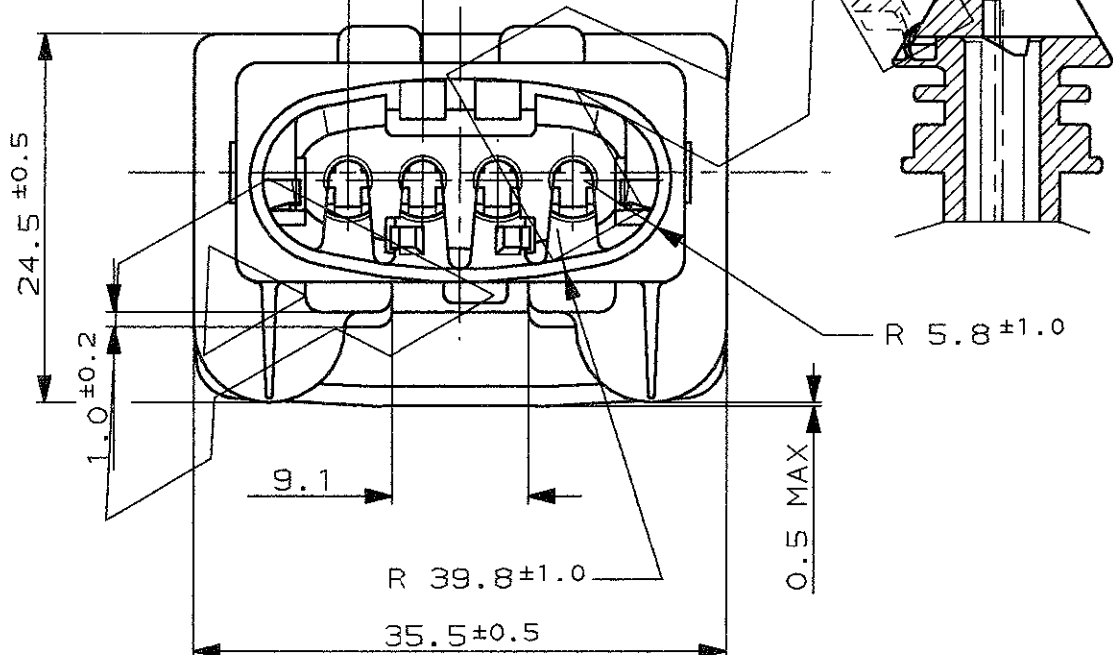


ASSE CONNETTORE  
(CONNECTOR CENTER LINE)

ASSE CAVITA'  
(CAVITY CENTER LINE)

TIP. CAVITA' PER TERMINALI AMP JPT P/N 929939-...  
OPPURE 929937-... E RELATIVI GOMMINI  
AMP P/N 828904-1, 828905-1, 282536-1.  
TAPPO CAVITA' P/N 828906-2  
(TYP. CAV. FOR JPT CONT. P/N 929939-... A/O 929937-... AND REL.  
SINGLE WIRE SEAL P/N 828904-1, 828905-1, 282536-1  
CAVITY PLUG P/N 828906-2)

PASSO 5.0±0.15 TIP.  
(PITCH 5.0±0.15 TYP.)

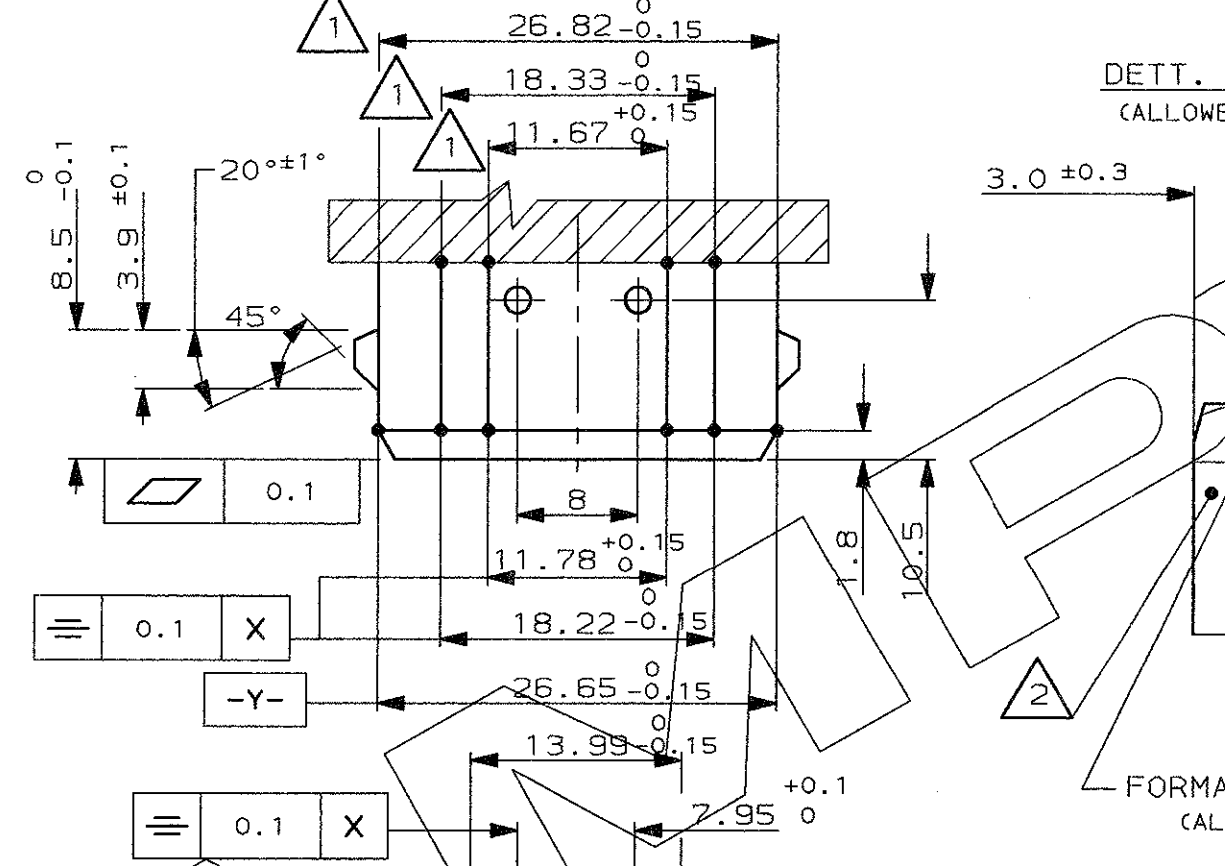
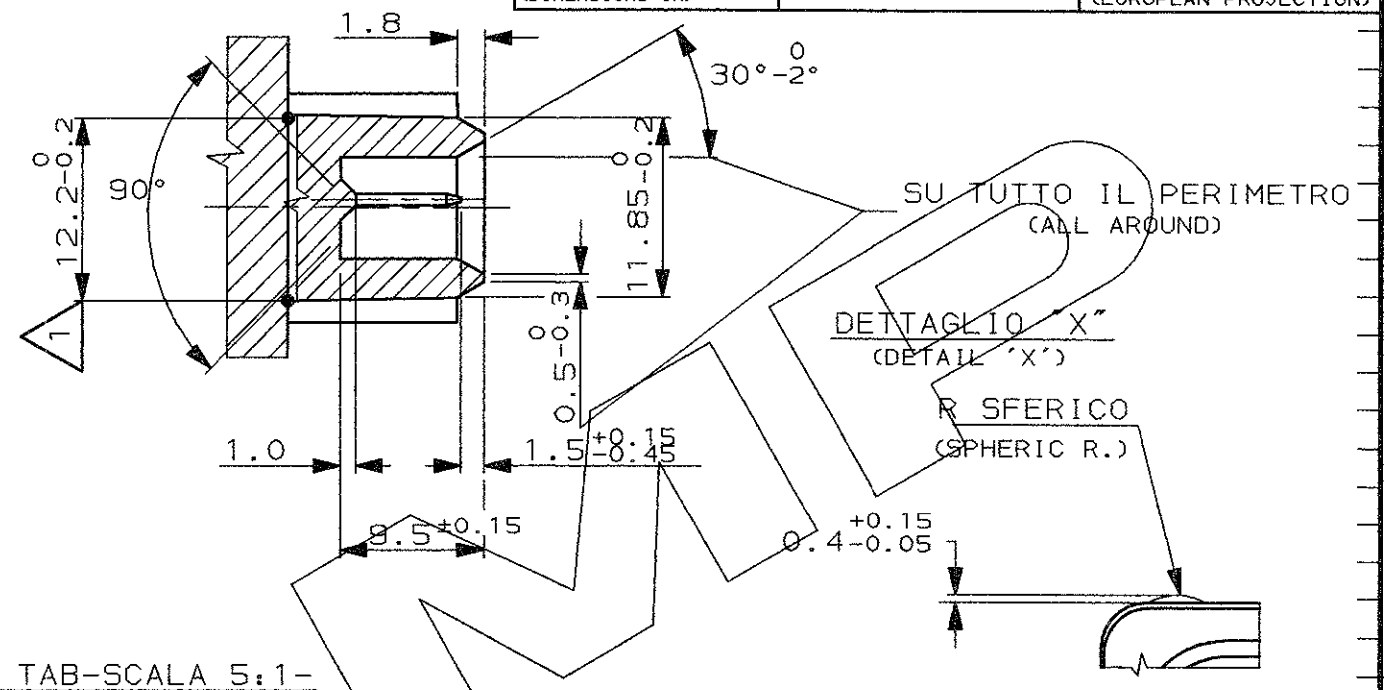
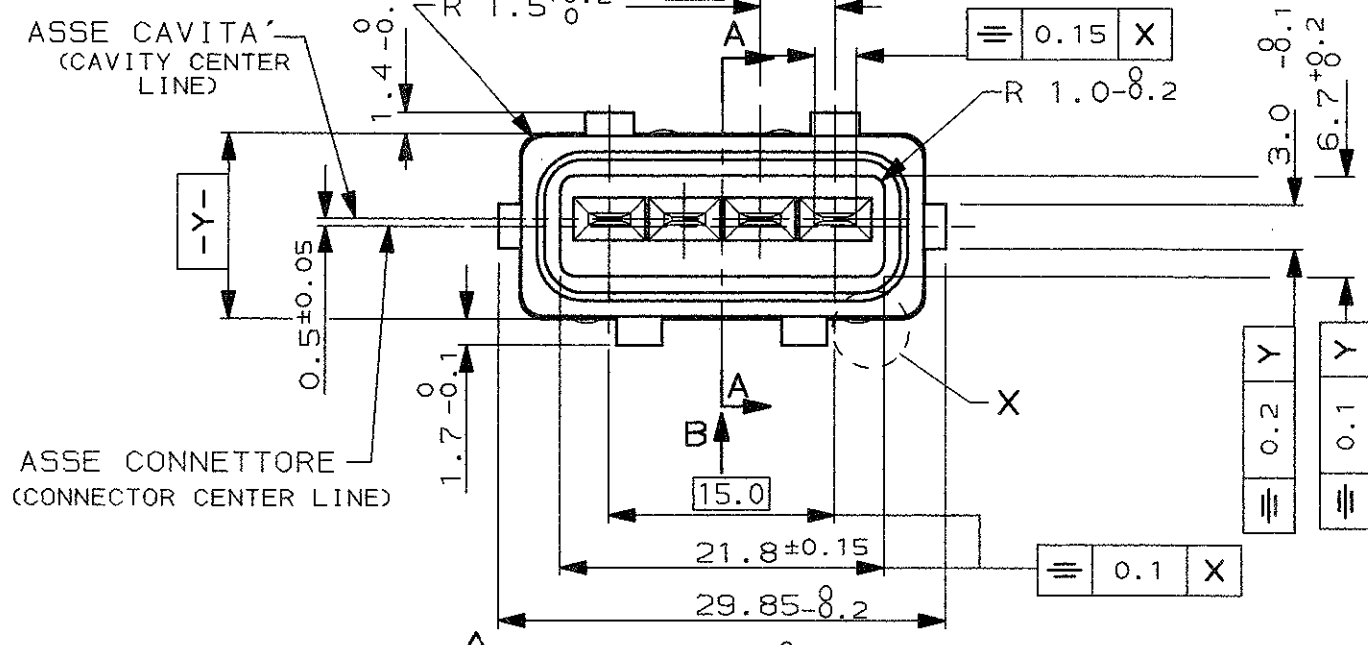


COLORE COLOR	NUMERO PART. N°	ASSY REV.	N° (ITEM)	FINITURA / COLORE (FINISH / COLOUR)	MATERIALE (MATERIAL)	DESCRIZIONE (DESCRIPTION)
ROSSO (RED)	---	---	---	---	---	---
GIALLO (YELLOW)	---	---	---	---	---	---
MARRONE (BROWN)	282192-3	F	3	///////	ACCIAIO INOX (STAINLESS STEEL)	MOLLA (SPRING)
BLU (BLUE)	---	---	---	---	---	---
VERDE (GREEN)	---	---	---	---	---	---
NATURALE (NATUR)	---	---	2	NATURALE (NATURAL)	GOMMA (RUBBER)	GUARNIZIONE (RUBBER GASKET)
GRIGIO (GREY)	282192-2	F	---	---	---	---
NERO (BLACK)	282192-1	F	1	///////	PA 6.6 C.VETRO (PA 6.6 G.F.)	BLOCCHETTO (HOUSING)

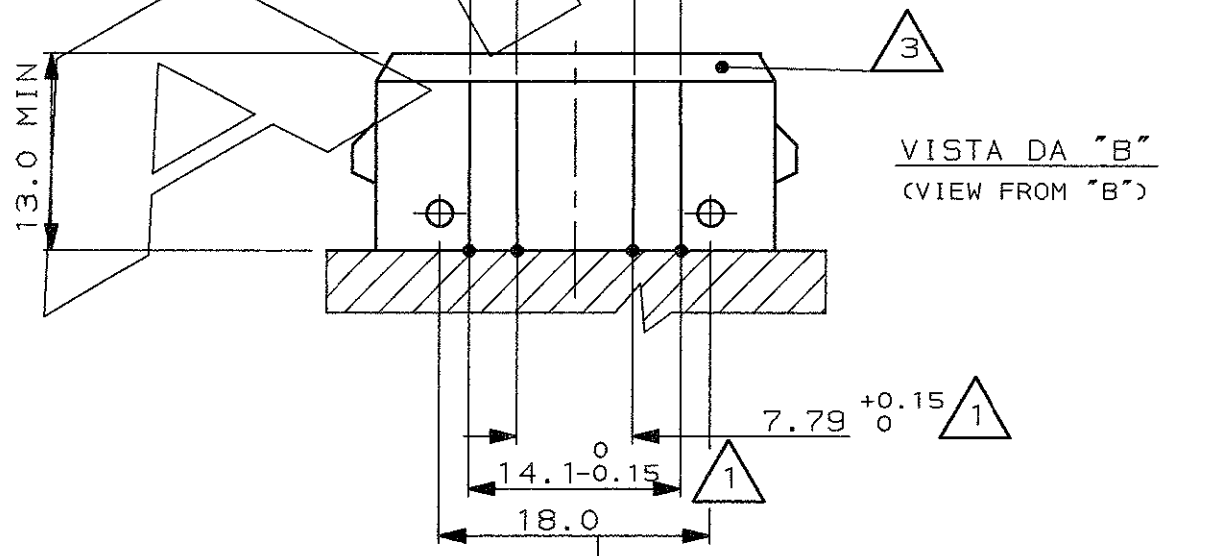
  

M	REVISED FOR ET00-0385-99	M.P.	2-4 01	CUSTOMER DWG. FOR REFERENCE ONLY		DISEGNO PER CLIENTE SOLO PER RIFERIMENTO
L	AGGIOR. CON ET00-0221-96 REVISED FOR ET00-0221-96	A.F.	27-5 '96	THIS DRAWING IS UNPUBLISHED RELEASE FOR PUBLICATION 19		
H	AGGIOR. CON ET00-0108-95 REVISED FOR ET00-0108-95	M.P.	11-5 '95	© COPYRIGHT 19 BY AMP INCORPORATED, HARRISBURG, PA. ALL INTERNATIONAL RIGHT RESERVED. AMP PRODUCTS MAY BE COVERED BY U.S. AND FOREIGN PATENT AND/OR PATENT PENDING		
G	AGG. FOGLIO 2 (ADDED SH.2)	R.M.	3-9 93	TOLLERANZE, SE NON DIVERSAMENTE SPECIFICATO (TOLERANCES, UNLESS OTHERWISE SPECIFIED)	DIAM. ISOLANTE (INS. DIA. RANGE) 1.5-3.0 (REDUCED INS. CABLE)	RANGO FILO (WIRE RANGE) 0.5-2.5 mm <sup>2</sup>
F	IN PRODUZIONE (IN PRODUCTION)	R.M.	13-10 92	± 0.3	***	
E	AGGIORNATO (REVISED)	R.M.	27-5 92	ANGOLI (ANGLES) ± 2°	AMP ITALIA S.p.A. Corso F.lli Cervi, 15 COLLEGNO (TORINO)	
D	AGGIORNATO (REVISED)	R.M.	17-3 92	DIS. NOV. 9.'90 (DR.) Ennio CINI	DESCRIZIONE (DESCRIPTION) 4 W. SPLASH PROOF CONN. ASS'Y with SECONDARY LOCK	
C	AGGIORNATO (REVISED)	R.M.	29-2 92	CONT. 13 OCT 92 (CHK) C. TARTARI	LOC. SIZE NUMERO (DWG NO)	REV. FOGLIO (SHEET)
B	AGGIORNATO (REVISED)	R.M.	6-8 91	APP. DATA (APP.)	I A3	C-282192 M 1 D1 (CF)
A	WAS P/N C-90-51265-70	C.E.	2.91			
REV.	REVISIONI (REVISION RECORD)	DIS. DATA (DR)	DATE			

DISTRIBUZIONE  
(PRINT DIST.)



- QUOTE APPLICABILI PER SFORMATURA PEZZO (DRAFT PERMITTED TO FACILITATE REMOVAL OF PART FROM THE MOULD)
- 1
  - 2
  - 3
- MATERIALE LINGUETTE: LEGA DI RAME STAGNATA, ES. OTTONE STAGNATO. (TAB CONTACT MATERIAL: TIN PLATED COPPER ALLOY. E.G. BRASS TIN PLATED)
- MATERIALE BLOCCHETTO: TERMOPLASTICO CARICATO FIBRA VETRO. (HOUSING MATERIAL: THERMOPLASTIC, GLASS FIBER FILLED)



FINITURA / COLORE (FINISH / COLOUR)		MATERIALE (MATERIAL)		NUMERO (PART NUMBER)	
CUSTOMER DWG. FOR REFERENCE ONLY		DISEGNO PER CLIENTE SOLO PER RIFERIMENTO		19	
THIS DRAWING IS UNPUBLISHED		RELEASE FOR PUBLICATION		19	
© COPYRIGHT 19 BY AMP INCORPORATED, HARRISBURG, PA. ALL INTERNATIONAL RIGHT RESERVED. AMP PRODUCTS MAY BE COVERED BY U.S. AND FOREIGN PATENT AND/OR PATENT PENDING					
TOLLERANZE: SE NON DIVERSAMENTE SPECIFICATO (TOLERANCES: UNLESS OTHERWISE SPECIFIED)		DIAM. ISOLANTE (INS. DIA. RANGE)		RANGO FILO (WIRE RANGE)	
± 0.3		---		---	
ANGOLI (ANGLES)		---		---	
± 2°		---		---	
DIS. (DR.)		DESCRIZIONE (DESCRIPTION)		---	
CONT. (CHK)		4 POS. SPLASH PROOF CONN. ASS'Y with SECONDARY LOCK		---	
---		LOC. SIZE (DWG NO)		REV. FOGLIO (SHEET)	
---		I A3 C-282192		M 2 DI (OF) 2	
REV. (REV. LTR.)		DIS. DATA (DR. DATE)		---	
REVISIONI (REVISION RECORD)		---		---	

DISTRIBUZIONE (PRINT DIST.)

SEE SHEET 1 OF 2

SEE SHEET 1 OF 2